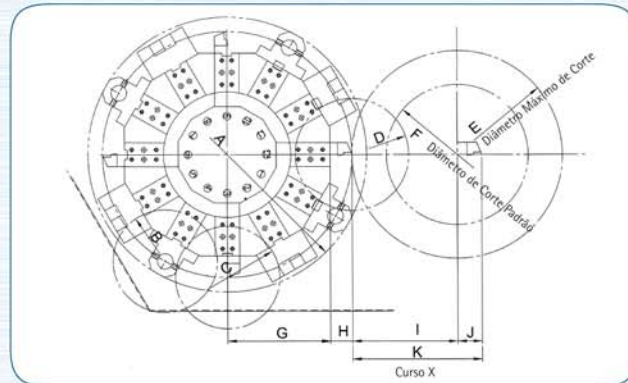
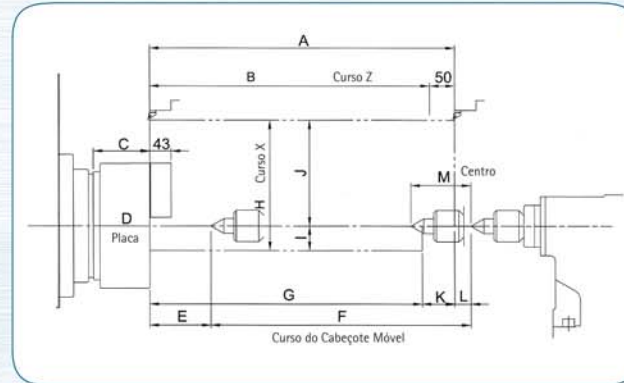


INTERFERÊNCIA DA FERRAMENTA



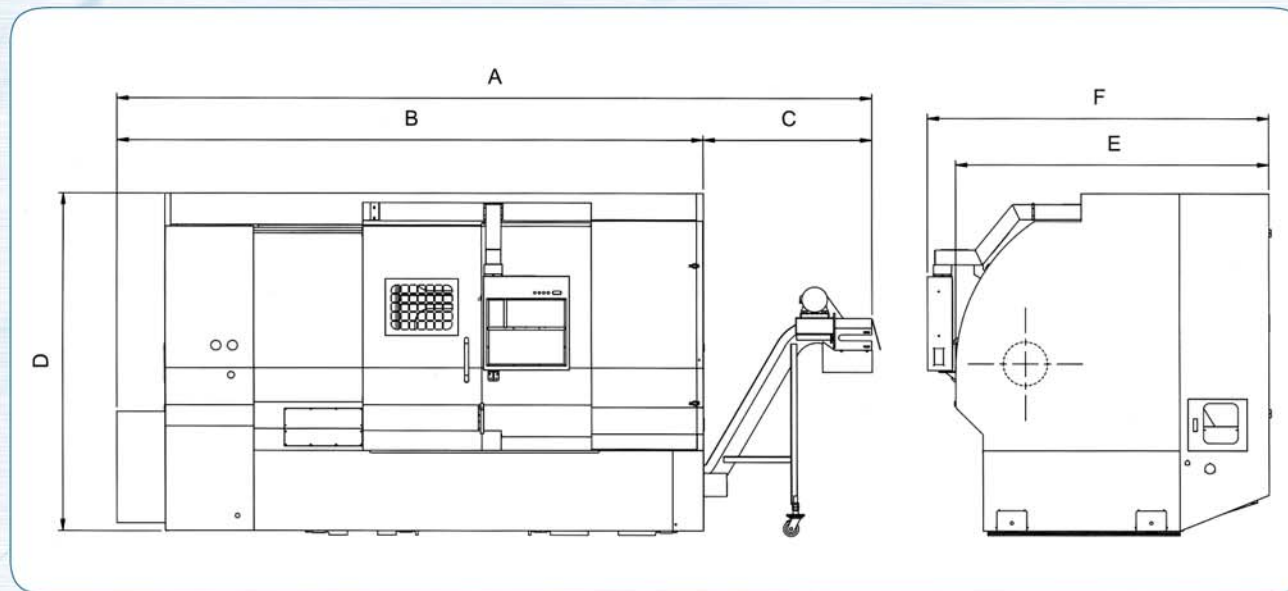
CAPACIDADE DE TORNEAMENTO



| MODELO | A | B | C | D | E | F | G | H | I | J | K |
|---------------------|-----|-----|-----|-----|-----|-----|-----|----|-----|----|-----|
| Vulcanic 160 x 560 | 570 | 200 | 211 | 215 | 400 | 290 | 210 | 40 | 215 | 40 | 245 |
| Vulcanic 160 x 1060 | 570 | 200 | 211 | 215 | 400 | 290 | 210 | 40 | 215 | 40 | 245 |
| Vulcanic 300 x 560 | 570 | 264 | 211 | 215 | 430 | 290 | 210 | 40 | 215 | 40 | 260 |
| Vulcanic 300 x 1060 | 570 | 264 | 211 | 215 | 430 | 290 | 210 | 40 | 215 | 40 | 260 |
| Vulcanic 400 x 730 | 693 | 299 | 232 | 250 | 580 | 320 | 250 | 40 | 310 | 40 | 340 |
| Vulcanic 400 x 1030 | 693 | 299 | 232 | 250 | 580 | 320 | 250 | 40 | 310 | 40 | 340 |
| Vulcanic 400 x 2000 | 693 | 299 | 232 | 250 | 580 | 320 | 250 | 40 | 310 | 40 | 340 |
| Vulcanic 560 x 1500 | 693 | 299 | 232 | 250 | 680 | 450 | 250 | 40 | 350 | 40 | 390 |
| Vulcanic 560 x 2000 | 693 | 299 | 232 | 250 | 680 | 450 | 250 | 40 | 350 | 40 | 390 |
| Vulcanic 560 x 3000 | 693 | 299 | 232 | 250 | 680 | 450 | 250 | 40 | 350 | 40 | 390 |

| MODELO | A | B | C | D | E | F | G | H | I | J | K | L | M |
|---------------------|------|------|-----|-----|-----|------|------|-----|----|-----|----|----|-----|
| Vulcanic 160 x 560 | 610 | 560 | 103 | 8" | 122 | 520 | 560 | 245 | 40 | 200 | 50 | 32 | 100 |
| Vulcanic 160 x 1060 | 1110 | 1050 | 103 | 8" | 112 | 1060 | 1060 | 245 | 40 | 200 | 50 | 32 | 100 |
| Vulcanic 300 x 560 | 610 | 560 | 113 | 10" | 122 | 560 | 560 | 260 | 40 | 215 | 50 | 32 | 100 |
| Vulcanic 300 x 1060 | 1110 | 1050 | 113 | 10" | 112 | 1030 | 1060 | 260 | 40 | 215 | 50 | 32 | 100 |
| Vulcanic 400 x 730 | 780 | 730 | 149 | 15" | 305 | 475 | 730 | 370 | 40 | 320 | 50 | | 130 |
| Vulcanic 400 x 1030 | 1080 | 1030 | 149 | 15" | 305 | 775 | 1030 | 370 | 40 | 320 | 50 | | 130 |
| Vulcanic 400 x 2000 | 2030 | 2039 | 149 | 15" | 265 | 1725 | 2000 | 370 | 40 | 320 | 50 | | 130 |
| Vulcanic 560 x 1500 | 1589 | 1539 | 149 | 18" | 265 | 1225 | 1500 | 390 | 40 | 350 | 50 | | 100 |
| Vulcanic 560 x 2000 | 2089 | 2039 | 149 | 18" | 265 | 1725 | 2000 | 390 | 40 | 350 | 50 | | 100 |
| Vulcanic 560 x 3000 | 3089 | 3039 | 149 | 18" | 265 | 2725 | 3000 | 390 | 40 | 350 | 50 | | 100 |

DIMENSÕES DA MÁQUINA



| MODELO | Vulcanic 160 x 560 | Vulcanic 160 x 1060 | Vulcanic 300 x 560 | Vulcanic 300 x 1060 | Vulcanic 400 x 730 | Vulcanic 400 x 1030 | Vulcanic 400 x 2000 | Vulcanic 560 x 1500 | Vulcanic 560 x 2000 | Vulcanic 560 x 3000 |
|--------|--------------------|---------------------|--------------------|---------------------|--------------------|---------------------|---------------------|---------------------|---------------------|---------------------|
| A | 3680 | 4180 | 3680 | 4180 | 4700 | 4700 | 6000 | 5500 | 6000 | 6500 |
| B | 2850 | 3350 | 2850 | 3350 | 3820 | 3820 | 4800 | 4300 | 4800 | 5300 |
| C | 830 | 830 | 830 | 830 | 880 | 880 | 1200 | 1200 | 1200 | 1200 |
| D | 1870 | 1870 | 1870 | 1870 | 2322 | 2322 | 2312 | 2312 | 2312 | 2312 |
| E | 1750 | 1750 | 1750 | 1750 | 2080 | 2080 | 2124 | 2124 | 2124 | 2124 |
| F | --- | 1940 | --- | 1940 | 2267 | 2267 | 2308 | 2308 | 2308 | 2308 |



Vista Interna



Comando FANUC